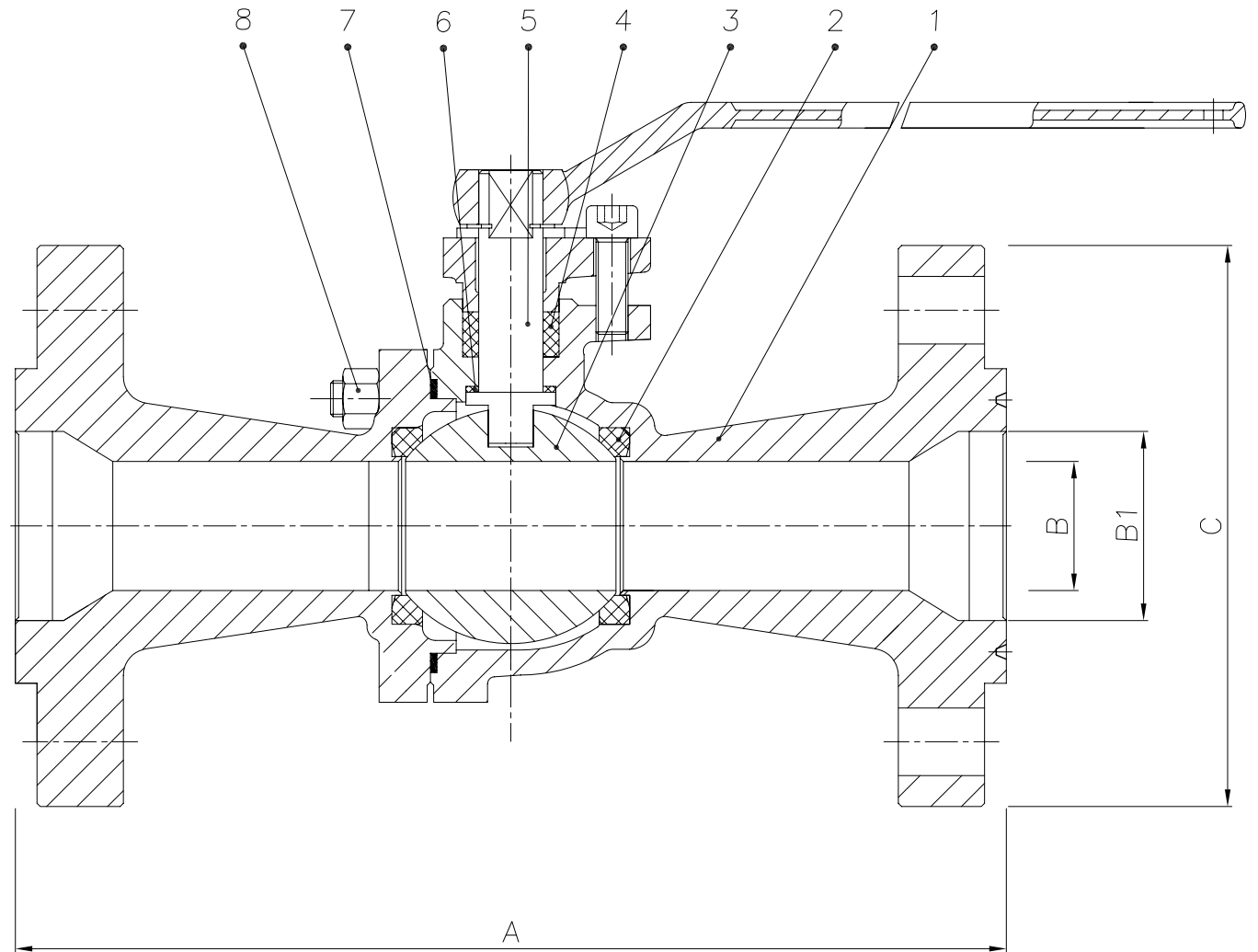


1 | 2 | 3 | 4 | 5 | 6 | 7 | 8

8	BOLTING	ASTM A193 B7M/ A194 Gr.2HM	ASTM A193 B8M/ A194 Gr.8M	
7	GASKET	SS304+GRAPHITE		
6	LOWER THRUST WASHER	PTFE		
5	STEM	ASTM A182 F316		
4	STEM SEAL	PTFE		
3	BALL	ASTM A351 CF8M		
2	SEAT RING	RPTFE		
1	BODY/CLOSURE	ASTM A216 WCB/ ASTM A352 LCB	ASTM A351 CF8M	
NO	PART NAME	MATERIAL		NOTES

NOTES	
1	
2	
3	

Size	A	B	B1	C
2"x1½"	292	38	51	165
3"x2"	356	51	76	210
4"x3"	432	76	102	275
6"x4"	559	102	152	355



A
B
C
D
E
F

MATERIALS TO NACE MR0175 LATEST EDITION (WETTED PARTS).

DESIGN CODE	API 6D/ANSI B16.34	TEST PRESSURES		
FACE TO FACE DIMENSIONS	ASME B16.10	BODY	153.0	Barg
ENDS FLANGES DIMENSIONS	ASME B16.5	SEAT	112.0	Barg
TESTING CODE	API 598	SEAT - AIR	6.0	Barg

REV	DATE	DESCRIPTION	BY	CHK	APP

SCALE:		
DRAWN	DM	DATE: 16/02/12
CHECKED	SMN	DATE
APPROVED	AW	DATE

DRAWING TITLE:
API 6D, CARBON STEEL CLASS 600
FLOATING BALL, RF/RTJ, RB, BALL VALVE

CLIENT:

VENDOR PO REF:

EVC REF:



CAD. No.	DRAWING NUMBER: 120019	REV 00
AREA No. FACILITY	TYPE	SEQ. No. SHT. No.

1 | 2 | 3 | 4 | 5 | 6 | 7 | 8